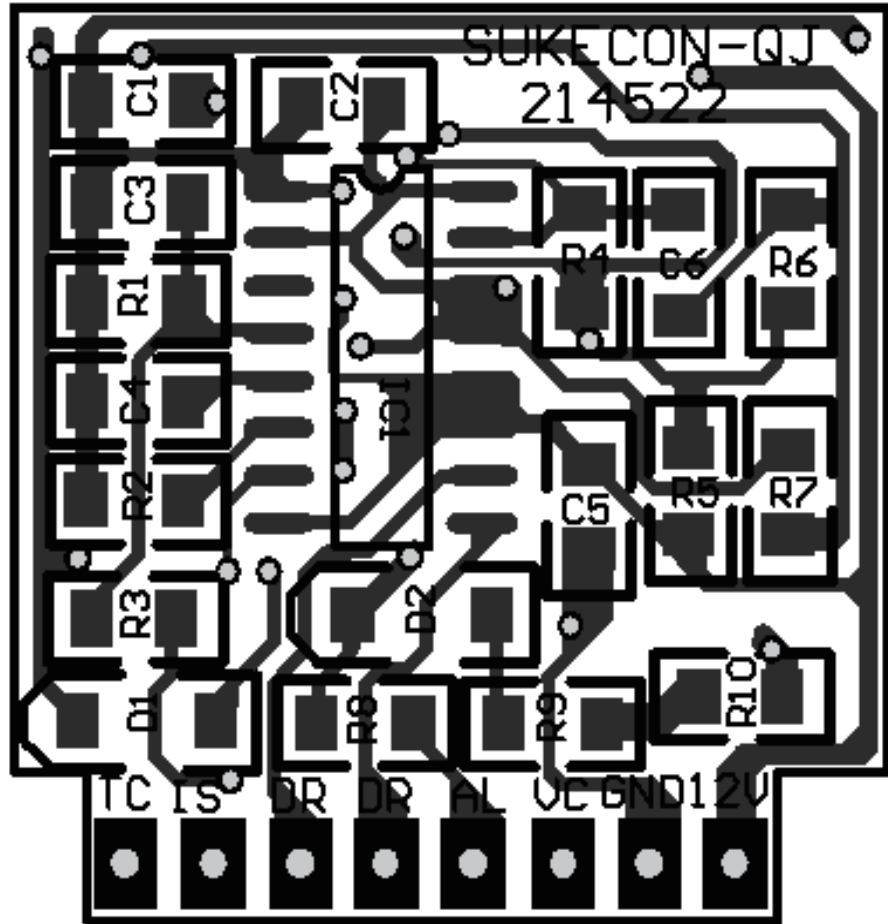


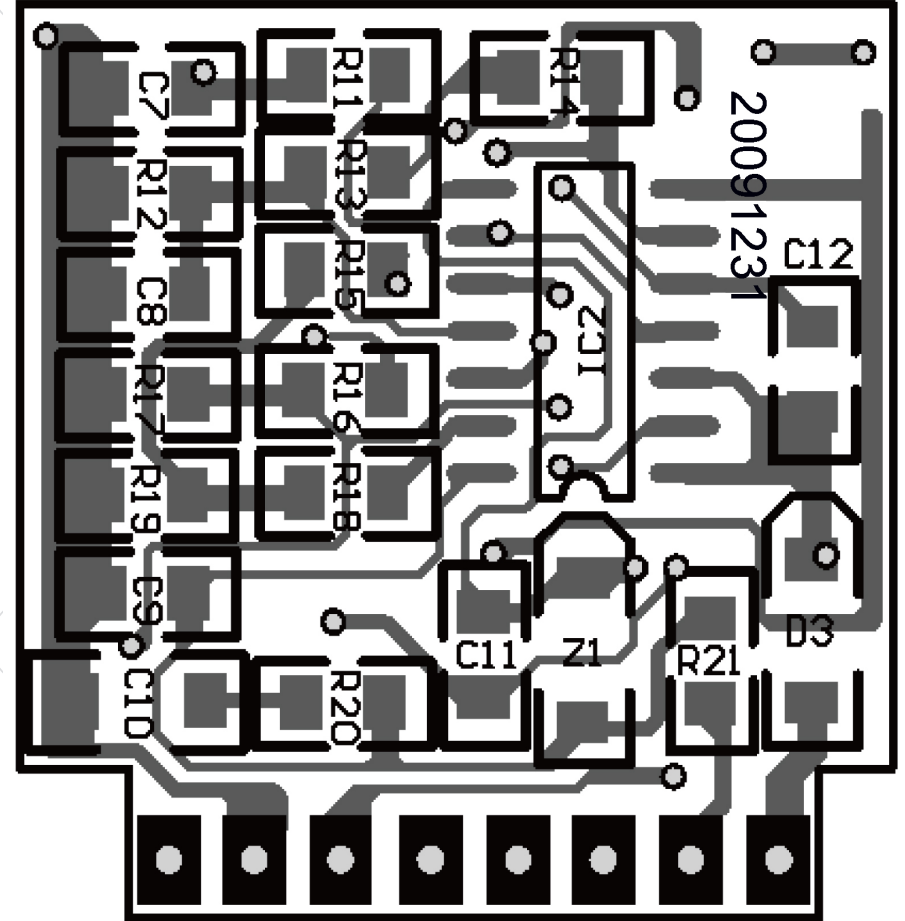
AW98A03

NO.	DESCRIPTION
1	INPUT WIRE TERMINAL(+)
2	SCREW
3	NUT
4	PRESSING PLATE
5	SCREW
6	TOP COVER
7	FRONT PANEL
8	THE LED INDICATOR
9	ON/OFF SWITCH
10	HOUSEHOLD TYPE SOCKET
11	SHELL
12	FET AND PCB ASSEMBLY
13	FUSE
14	FAN
15	BACK PANEL
16	SCREW
17	INPUT WIRE TERMINAL(-)
18	INPUT CABLE WITH BATTERY CLIP
19	INPUT CABLE WITH CIGARETTE LIGHTER PLUG

ST20120831



STURM!
POWER • GAS • HAND • TOOLS

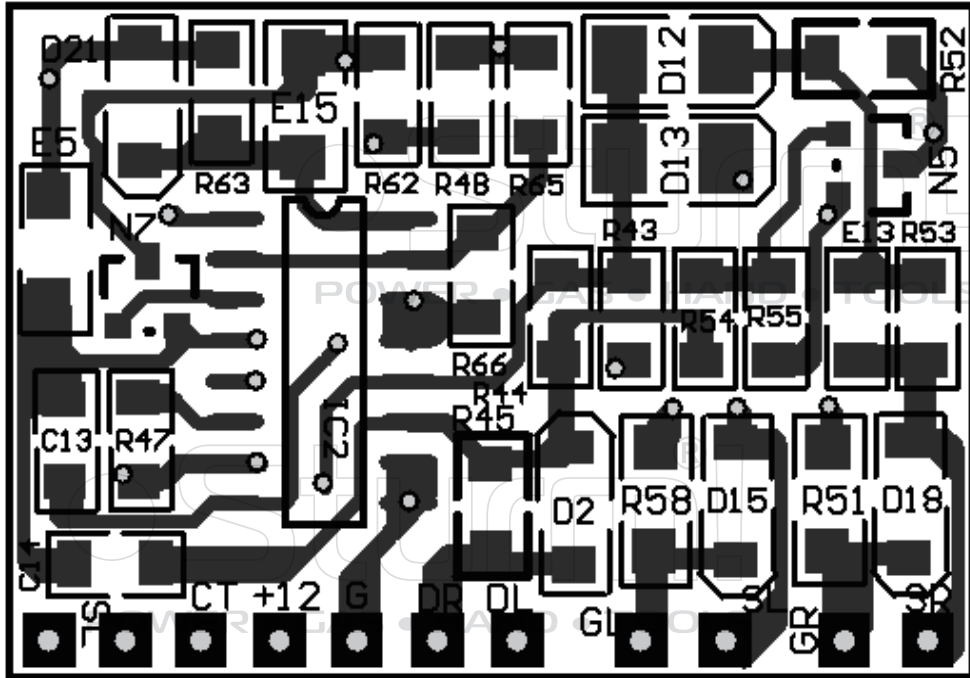


STURM!
POWER • GAS • HAND • TOOLS

ST20120831

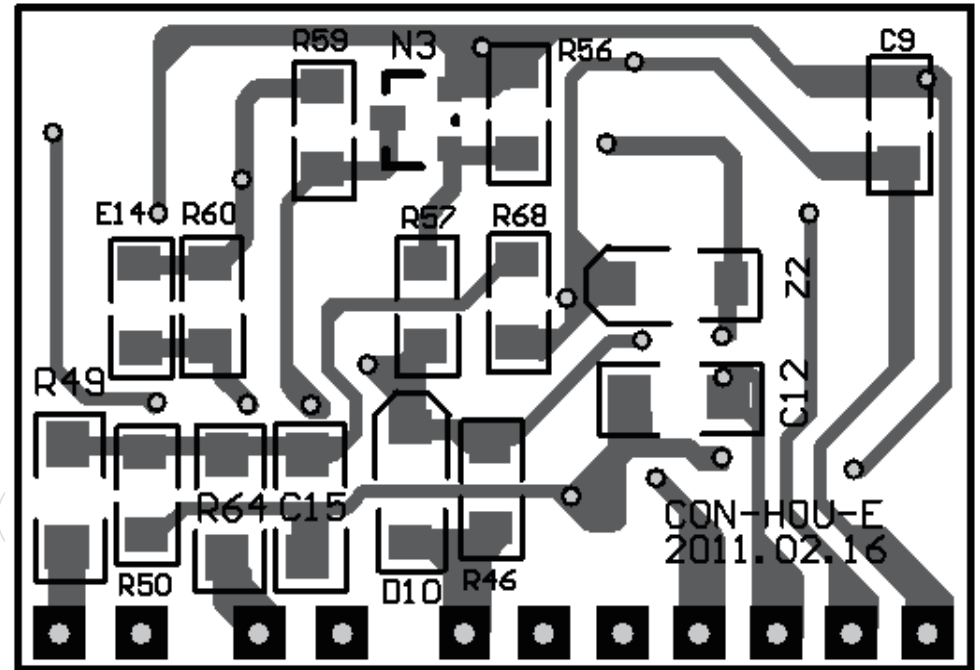
Sturm!

POWER • GAS • HAND • TOOLS



Sturm!

POWER • GAS • HAND • TOOLS



ST20120831

Sturm!

POWER • GAS • HAND • TOOLS

Sturm!

POWER • GAS • HAND • TOOLS